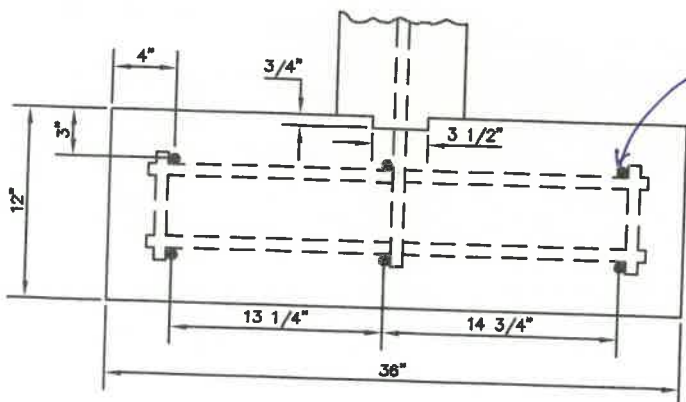
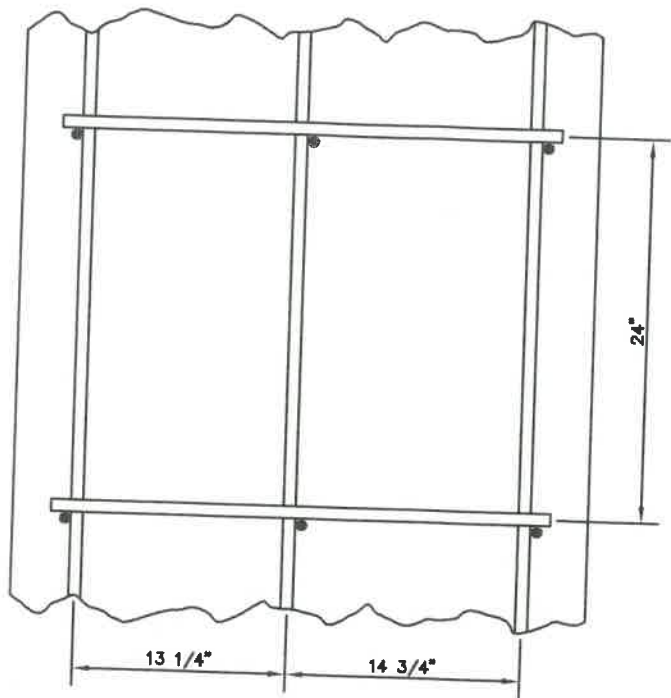


905 W. Riverview



*all #5 bar
BND*

<p>City Of Napoleon Engineering Department P.O. Box 151/255 W. Riverview Ave. Napoleon, Ohio 43545 Phone: (419) 592-4010 Fax: (419) 599-8393</p>	<p>Addendum For Ritter Park Boat Ramp Facility Improvements Alternate Footer Detail</p>	<p>Date: 07/03/01 Drawn By: M.B.S. Approved By: B.N.D. Scale: NTS Sheet ___ Of ___</p>
--	---	--